

Bill of Materials: 10.WP1V01500F

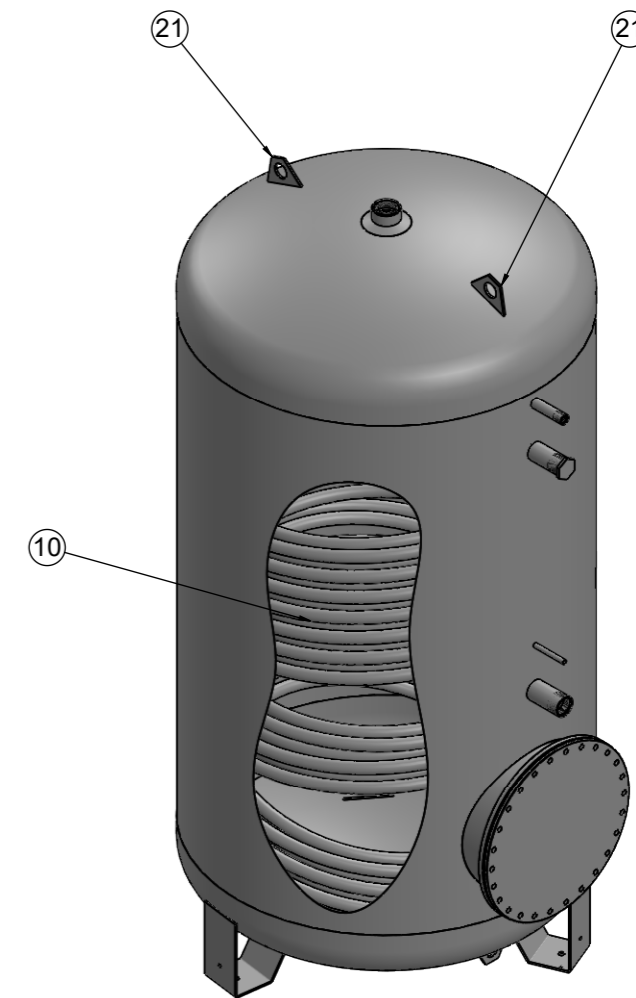
ID	Description	Code	Notes	Material	UM	Qt
1	1"1/2 L=100	TML000759		S235JR (1.0037)	PZ	1
2	1"1/4 L=100	TML000751		S235JR (1.0037)	PZ	1
3	1" L=100	TML000763		S235JR (1.0037)	PZ	1
4	1/2" L=100	TML000775		S235JR (1.0037)	PZ	3
5	2" L=30	TML000800		S235JR (1.0037)	PZ	1
6	2" L=130	TML000506		S235JR (1.0037)	PZ	1
7	3/4" L=25	TML000612		S235JR (1.0037)	PZ	1
8	400/480 FLANGE	TML000907		S235JR (1.0037)	PZ	1
9	400/480 BLIND	TML005520		S235JR (1.0037)	PZ	1
10	EXCH. 6,95 M ² W/2 CONN. 1"1/4	TML004469		S235JR (1.0037)	PZ	1
11	A-DEFLECTOR	TML001999		S235JR (1.0037)	PZ	1
12	EARTHING	TML000116		S235JR (1.0037)	PZ	1
13	MAGNESIUM ANODE	TML003775		--	PZ	1
21	LIFTING POINT	TML001739		S235JR (1.0037)	PZ	4

Customer: _____
 Ref. order: _____
 Ref. offer: _____
 Ref. OFV: _____

N° __ Pcs

Tank1: DHW
 Material: S235JR (1.0037)
 External treat.: PAINTED
 Internal treat.: ENAMELLED
 Pressure (exerc./test): 8/12 bar

Insulation: INSTALLED
 Material: POLYESTER
 Thickness: 130 mm
 Cover: PVC
 Color: RAL 9006



Nome file: TML007247c		Nr. Articolo:	
Stato: Approv.ne Commerciale		10.WP1V01500F	
Data: 08/07/2022		BOLL. LT.1500 VETRIF. x POMPA DI CALORE	
Autore: Giuliano Iodice		SF D/SPIRA - C/FL.400/480 - COIB.FLEX	
Pag: 1 di 1	Scala: 1:15	Foglio1	
Formato: A3		Materiali:	Peso:
		Trattamento:	348.8 kg
		Rev: 00 - Creata: -- -- Approvata: GI 08/07/2022	
		EMISSIONE PER ACCETTAZIONE CLIENTE	